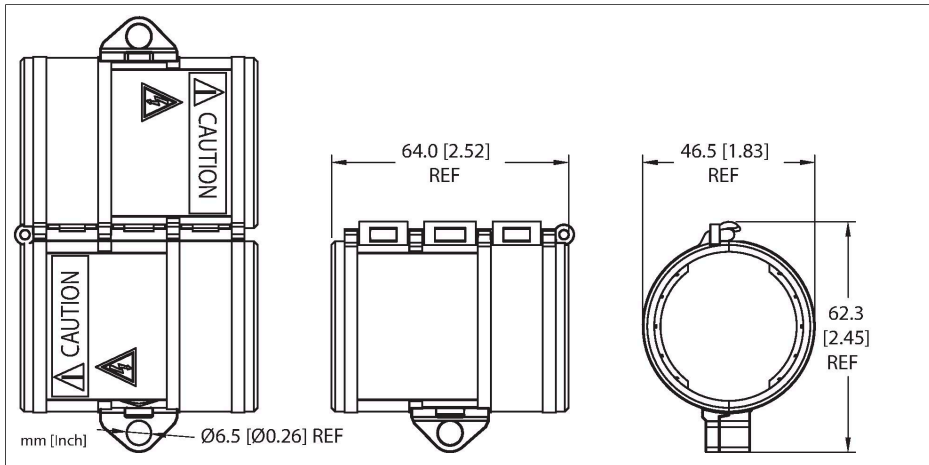


# LOCK-MINI-D Hazardous Location Power Accessory – Lokfast guard D-size powerfast



## Features

- 1 3/8" D-size powerfast lokfast
- Locking device for D-Size powerfast straight and angled connectors

## Technical data

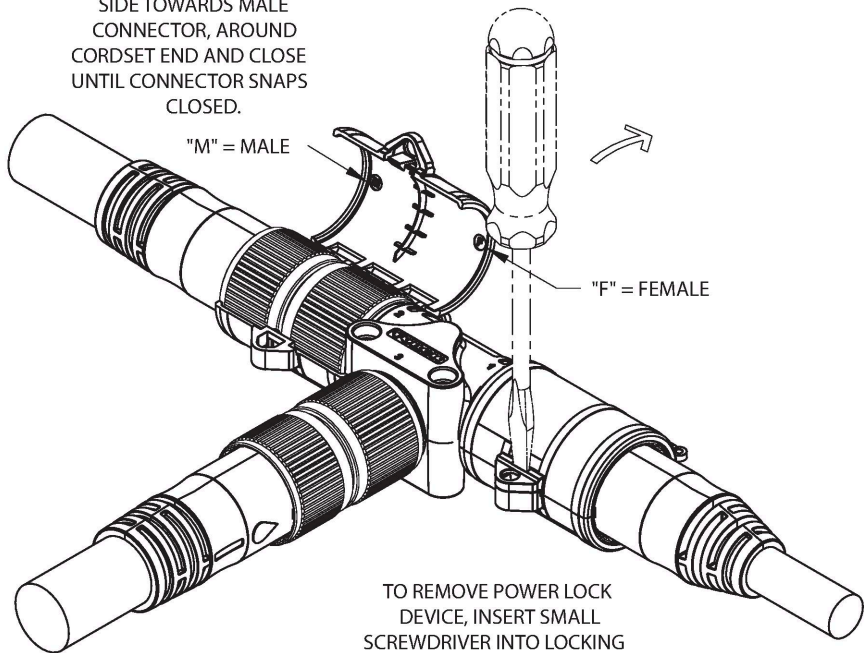
Type	LOCK-MINI-D
ID	A9744
Housing	Plastic, PA66, Black
Connector A	1 1/8"-16 UN
Note	

- We reserve the right to make technical alterations without prior notice.



## Installation Instructions

TO INSTALL POWER LOCK DEVICE, PLACE THE "M" SIDE TOWARDS MALE CONNECTOR, AROUND CORDSET END AND CLOSE UNTIL CONNECTOR SNAPS CLOSED.



TO REMOVE POWER LOCK DEVICE, INSERT SMALL SCREWDRIVER INTO LOCKING GROOVE AS SHOWN IN PICTURE. ROTATE SCREWDRIVER IN DIRECTION SHOWN UNTIL LOCKING DEVICE RELEASES.